

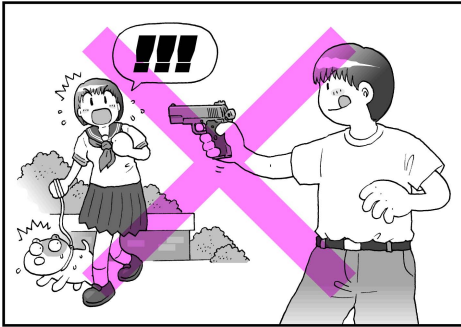


SERIES 92

MANUAL

WARNING: BEFORE USAGE, THE INSTRUCTION MUSE BE READ.

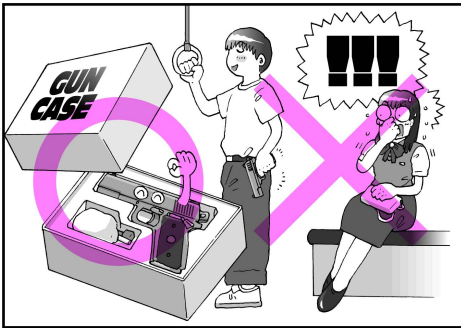
THANK YOU FOR PURCHASING. THE FOLLOWING ATTENTION POINTS AND INSTRUCTIONS MUST BE READ. SHOOTING WITHOUT CAUTION OR USED IMPROPERLY, BLINDNESS OR INJURIES COULD BE LEAD.



DO NOT POINT AT PEOPLE OR ANIMAL.



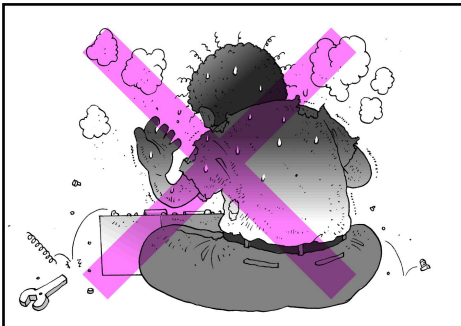
GUN AND GAS MUST BE PLACED IN AREA WHERE TEMPERATURE IS OVER 40 °C



PLACE IN GUN CASE WHEN NOT IN USING OR TRANSPORTING



DO NOT USE GAS WHICH PRESSURE OVER 12 Kgs/cm²



UNAUTHORIZED RECONSTRUCTION OF AIR SOFT GUN TO STRENGTHEN FIRING FUNCTION IS STRICTLY PROHIBITED.



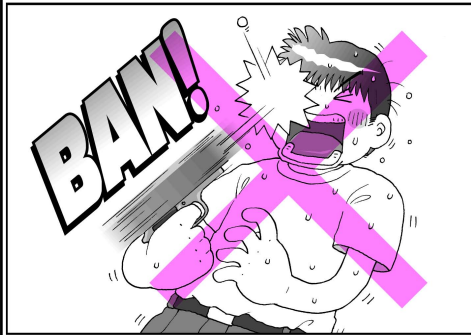
BE CAREFULL WHAT TARGET YOU SHOOT



EYE PROTECTION DEVICE MUST BE EQUIPPED



DO NOT LOAD ANYTHING BUT BB BULLETS.



DO NOT LOOK THROUGH THE BARREL



PLEASE SHOOT IN SAFE PLACE

OPERATION

1.REMOVE THE MAGAZINE



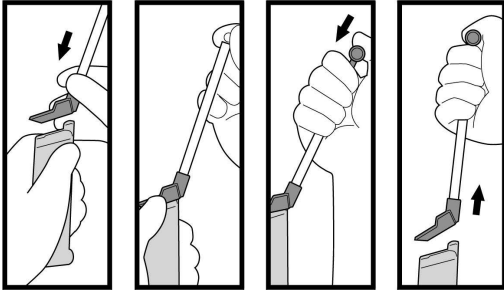
PRESS MAGAZINE CATCH AND REMOVE MAGAZINE

2.FILLING GAS



FILL THE GAS BOTTLE TO THE MAGAZINE IN VERTICAL DIRECTION.

3.LOAD BB BULLETS



4.INSERT MAGAZINE



5.LOAD



PULL THE SLIDE COMPLETELY TO THE REAR.

6.SAFETY



SAFETY OFF.



SAFETY ON.

7.FIRE



PULL THE TRIGGER.



AFTER THE LAST SHOT IS FIRED, SLIDE WILL STOP IN THE REAR . CHECK THE CHAMBER AND MAKE SURE THE CHAMBER IS EMPTY.PRESS THE SLIDE STOP DOWN OUT OF ITS LOCKING NOTCH TO ALLOW THE SLIDE TO MOVE FORWARD.IF A LOADED MAGAZINE IS INSERTED AND THE SLIDE STOP IS PUSHED DOWN,THE SLIDE WILL LOAD A FRESH CARTRIDGE FROM THE MAGAZINE INTO THE CHAMBER, AND THE PISTOL IS READY TO FIRE.

DISASSEMBLY

1.REMOVE THE MAGAZINE



PRESS MAGAZINE CATCH AND REMOVE MAGAZINE.

2.REMOVE THE SLIDE



PRESS THE DISASSEMBLY LATCH RELEASE AND ROTATE THE DISASSEMBLY LATCH CLOCKWISE UNTIL IT STOPS.



REMOVE THE SLIDE.

3.REMOVE THE BARREL



REMOVE THE RECOIL SPRING GUIDE AND SPRING.



REMOVE THE BARREL.

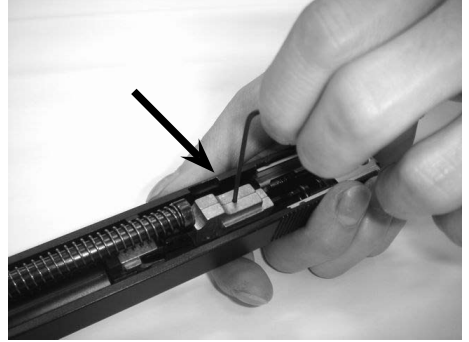
REASSEMBLY

REVERSE THE DISASSEMBLY ORDER

ADJUST TRAJECTORY



1. REMOVE THE MAGAZINE AND SLIDE.



2. USE 1.5mm HEX WRENCH TO ADJUST TRAJECTORY.

STAY



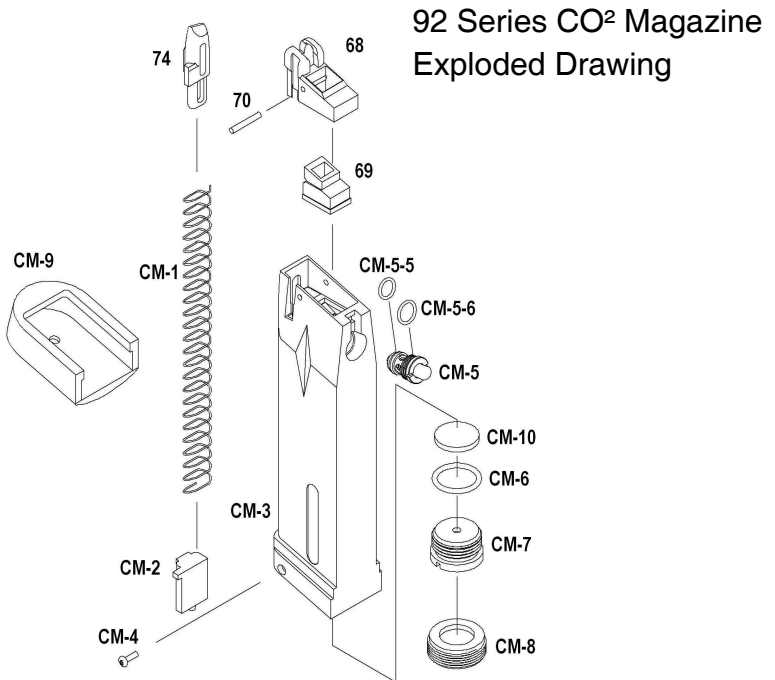
WARNING: EACH ADJUSTMENT DO NOT OVER A QUARTER TURN.



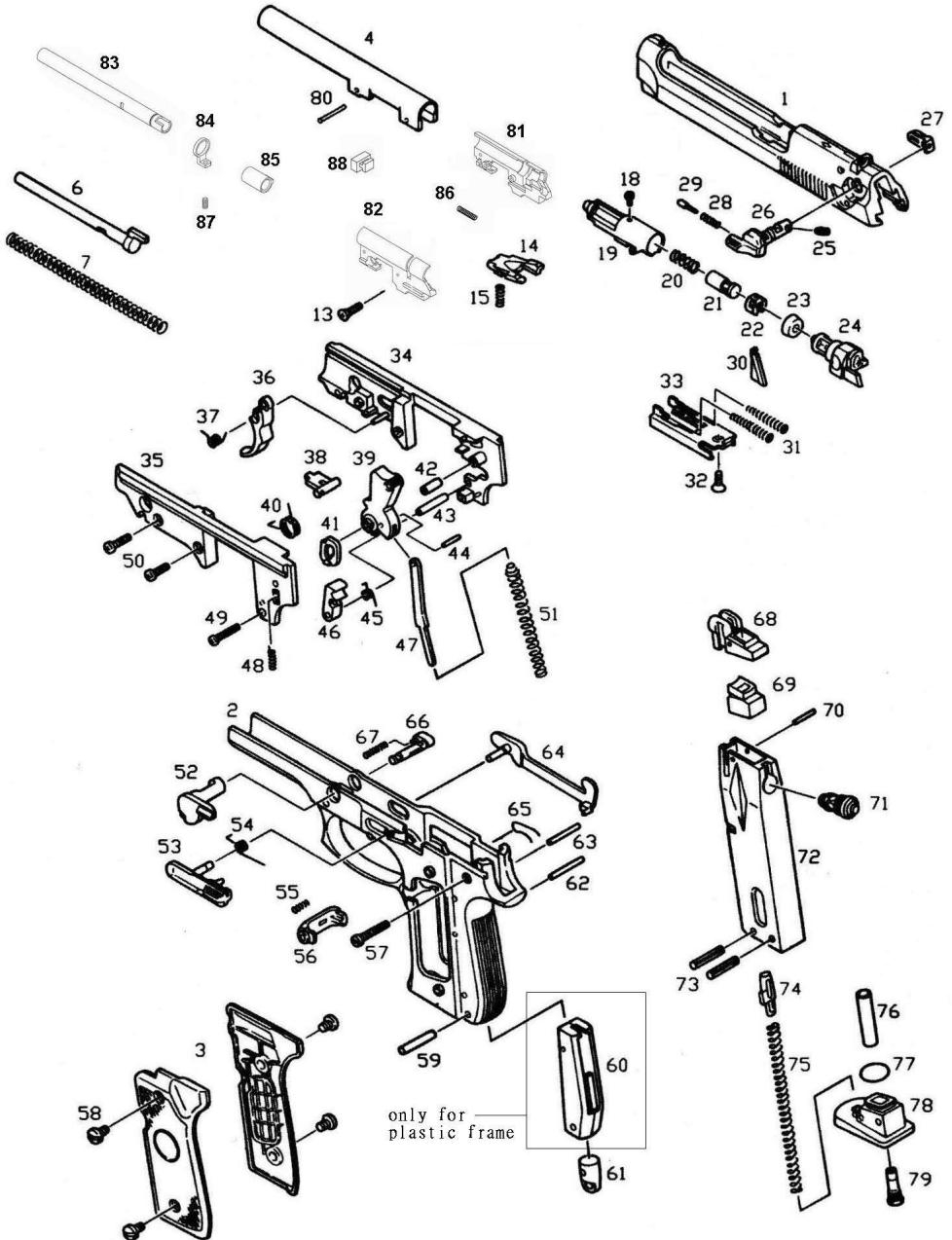
ADJUST SCREW ANTICLOCKWISE



ADJUST SCREW CLOCKWISE



Exploded Drawing



No.	Name	Price	No.	Name	Price
1	SLIDE(METAL)	1600	56	MAGAZINE CATCH (PLASTIC/METAL)	30/150
2	FRAME(METAL)	2000	57	FRAME SCREW	30
3	GRIP(L,R 1 SET)	150	58	GRIP SCREW	25
4	OUTTER BARREL(METAL)	400	59	HAMMER SPRING CAP PIN	30
6	RECOIL SPRING GUIDE	100	60	HAMMER SPRING HOUSING(R,L)	70
7	RECOIL SPRING	50	61	HAMMER SPRING CAP	30
13	CHAMBER CASE SCREW	10	62	HAMMER SPRING HOUSING PIN	20
14	LOCKING BLOCK	30	63	SEAR PIN(FOR PLASTIC FRAME)	20
15	LOCKING BLOCK SPRING	10	64	TRIGGER BAR	120
18	CYLINDER SCREW	10	65	TRIGGER BAR SPRING	30
19	CYLINDER	150	66	DISASSEMBLING LATCH RELEASE BUTTON	60
20	CYLINDER SPRING	20	67	DISASSEMBLING LATCH RELEASE BUTTON SP.	10
21	CYLINDER VALVE	20	68	BB BULLET LIP	50
22	CYLINDER VALVE STOP	20	69	MAGAZINE GASKET	60
23	PISTON CAP	50	70	BB BULLET LIP PIN	30
24	PISTON	200	71	EXHAUST VALVE	120
25	SAFETY SCREW	10	72	MAGAZINE CASE	400
26	SAFETY(LEFT)	100	73	MAGAZINE BOTTON PIN	15
27	SAFETY(RIGHT)	50	74	FOLLOWER	30
28	SAFETYCLIP SPRING	10	75	MAGAZINE SPRING	40
29	SAFETY CLIP PIN	10	76	REGULATOR PIPE	30
30	SAFETY ROD	20	77	MAGAZINE BOTTON O-RING	20
31	CYLINDER RETURN SPRING	20	78	MAGAZINE BOTTON	160
32	PISTON SCREW	10	79	FILLING VALVE	50
33	SLIDE RAIL	200	80	BARREL PIN	10
34	MAIN CHASSIS(RIGHT)	200	81	CHAMBER CASE(R)	100
35	MAIN CHASSIS(LEFT)	200	82	CHAMBER CASE(L)	100
36	TRIGGER	100	83	INNER BARREL	120
37	TRIGGER SPRING	20	84	ADJUST RING	40
38	VALVE KNOCKER (ALLOY/STEEL)	50/100	85	RUBBER CHAMBER	80
39	HAMMER(ALLOY/STEEL)	100/250	86	BARREL CASE SPRING	10
40	VALVE KNOCKER SPRING	25	87	ADJUST SCREW	25
41	KNOCKER LOCK PLATE(ALLOY/STEEL)	35/80	88	BUFFER	50
42	HAMMER COLLAR	25	CM-1	FOLLOWER SPRING	50
43	SEAR COLLAR	20	CM-2	FOLLOWER SPRING RETAINER	50
44	HAMMER STURT PIN	10	CM-3	MAGAZINE CASE	400
45	SEAR SPRING	25	CM-4	SPRING RETAINER SCREW	10
46	SEAR	50	CM-5	VALVE	200
47	HAMMER STURT	50	CM-5-5	VALVE O RING	20
48	KNOCKER LOCKI PLATE SPRING	10	CM-5-6	VALVE O RING	20
49	MAIN CHASSIS SCREW(SMALL)	10	CM-6	CARTRIDGE STAB O RING	20
50	MAIN CHASSIS SCREW(LARGE)	15	CM-7	CARTRIDGE STAB	100
51	HAMMER STURT SPRING	40	CM-8	MAGAZINE BOTTOM CAP	100
52	DISASSEMBLING LATCH	80	CM-9	MAGAZINE BOTTOM CAP COVER	80
53	SLIDE STOP	100	CM-10	FILTER	30
54	SLIDE STOP SPRING	30			
55	MAGAZINE CATCH SPRING	10			