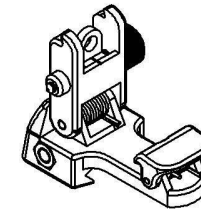
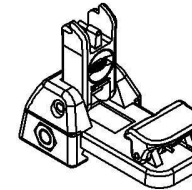


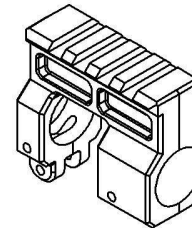
No.	Name	Price	No.	Name	Price
KA-01	FRONT SIGHT AND REAR SIGHT	750	H7	WINDAGE KNOB SCREW	30
160	FRONT SIGHT BASE 1	120	H8	FLAT SPRING	80
161	FRONT SIGHT BASE SPRING	20	H9	WINDAGE KNOB ADJUST SCREW	100
162	FRONT SIGHT BASE 2	120	H10	REAR SIGHT BASE PART	60
163	DETENT SCREW	15	H11	ELEVATION INDEX	160
164	DETENT SPRING	15	H12	ELEVATION KNOB	200
165	FRONT SIGHT DETENT	15	H13	ELEVATION KNOB DETENT	40
166	ADJUST DIAL	100	H14	ELEVATION KNOB DETENT SPRING	20
168	FRONT SIGHT	80	H16	REAR SIGHT BASE PIN	20
169	FRONT SIGHT OPTICAL FIBER	20	H17	HANDLE SCREW	80
170	FRONT SIGHT SCREW	20	H18CQB	BASE RAIL	120
171	FRONT SIGHT NUT	20	H19	BASE NUT	100
172	FRONT SIGHT FIXER	80	H20	ELEVATION KNOB PIN	20
173	FRONT SIGHT FIXER SP	20	H21	REAR SIGHT BASE SPRING	20
174	FRONT SIGHT BASE PIN	10	B9	HELICAL SPRING	20
175	FRONT SIGHT FIXER PIN	10	B10	FRONT SIGHT DETENT	50
176	REAR SIGHT BASE 1	120	B11	FRONT SIGHT	80
177	REAR SIGHT SP	20	B24	FRONT SIGHT NUT	120
178	REAR SIGHT BASE 2	120	B28	FRONT SIGHT SCREW	80
179	REAR SIGHT	80	B29	FRONT SIGHT BASE	400
180	ADJUST SCREW	120			
181	ADJUST SCREW SLEEVE	40	M4 SM	STANDARD MAGAZINE	1800
182	ADJUST SCREW E RING	10	M10	EX VALVE	180
183	DETENT SP	20	M11	CHARGING VALVE	70
184	DETENT	10	M15	MAG GASKET	120
185	REAR SIGHT PIN	10	M20	MAG UPPER BODY	400
			M21	MAG UPPER BODY PIN	20
KA-03	RAIL GAS BLOCK	400	M22	MAG LIP	120
B25	RAIL GAS BLOCK	400	M23	BLANK MODE LEVER 1 DETENT	10
B26	RAIL GAS BLOCK PIN	20	M24	BLANK MODE LEVER 1 DETENT SP	20
B27	FRONT SWIVEL PIN	20	M25	BLANK MODE LEVER 3 PIN WASHER	10
			M26	BLANK MODE LEVER 1	100
KA-04	TACTICAL RAIL	2500	M27	BLANK MODE LEVER 2	100
R1	UPPER RAIL	1400	M28	BLANK MODE LEVER 3	100
R2	LOWER RAIL	1000	M29	BLANK MODE LEVER 2 SCREW	20
R4	RAIL SP	120	M30	BLANK MODE LEVER 3 PIN	20
R5	RAIL SP PIN	20	M31	MAG BOTTOM SCREW	20
R6	RAIL PIN	20	M32	MAG JOINT BODY SCREW	20
R7	RAIL GUARD	120	M33	MAG LIP SCREW	20
R8	RAIL GUARD SP	80	M34	MAG JOINT BODY	400
			M35	VALVE SLEEVE	120
KA-05	FRONT AND REAR SIGHT	1200	M36	MAG JOINT GASKET	150
H1CQB	REAR SIGHT BASE 1	500	M37	MAG TUBE	80
H2	REAR SIGHT BASE	280	M38	MAG LOWER BODY	700
H3	REAR SIGHT	160	M39	FOLLOWER	80
H4	WINDAGE KNOB	180	M40	FOLLOWER SP	80
H5	WINDAGE KNOB DETENT SPRING	20	M41	FOLLOWER SP DETENT	80
H6	WINDAGE KNOB DETENT	40	M42	MAG BOTTOM	200

KJ M4 ACCESSORIES

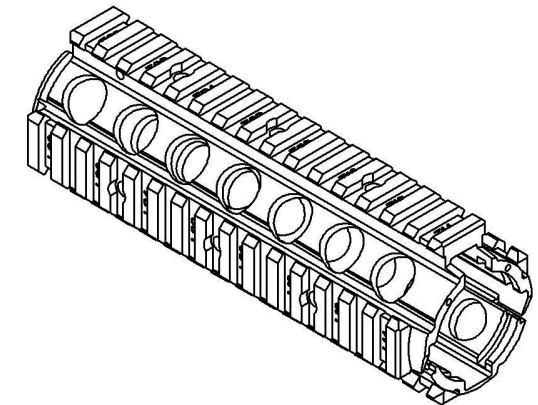
FOLDING SIGHT
ITEM NO. KA-01



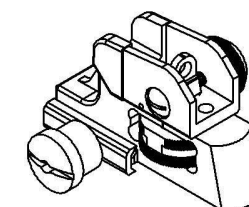
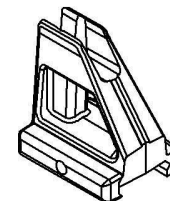
RAIL GAS BLOCK
ITEM NO. KA-03



TACTICAL RAIL
ITEM NO.KA-04

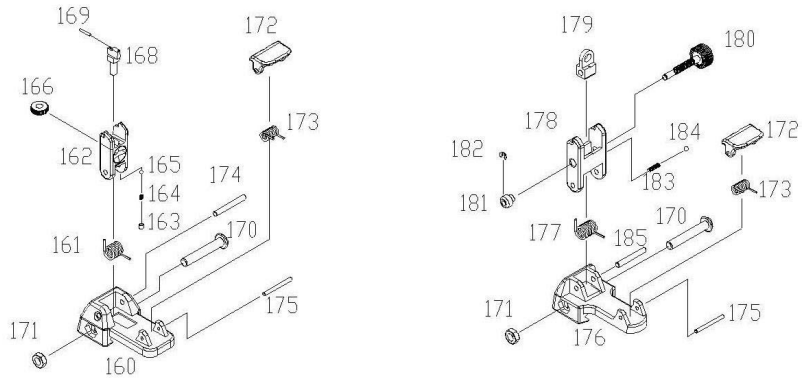


FRONT AND REAR SIGHT
ITEM NO.KA-05

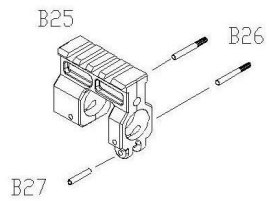


KJ M4 ACCESSORIES EXPLODED DRAWING

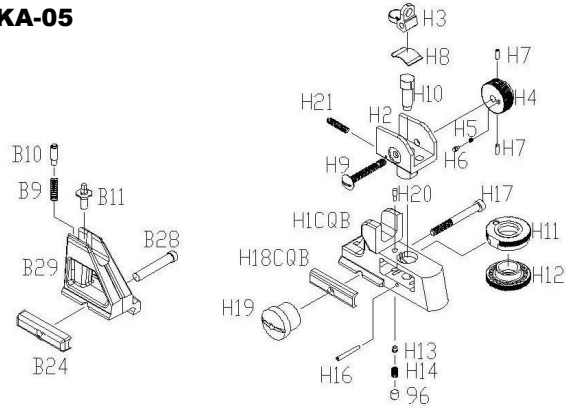
KA-01



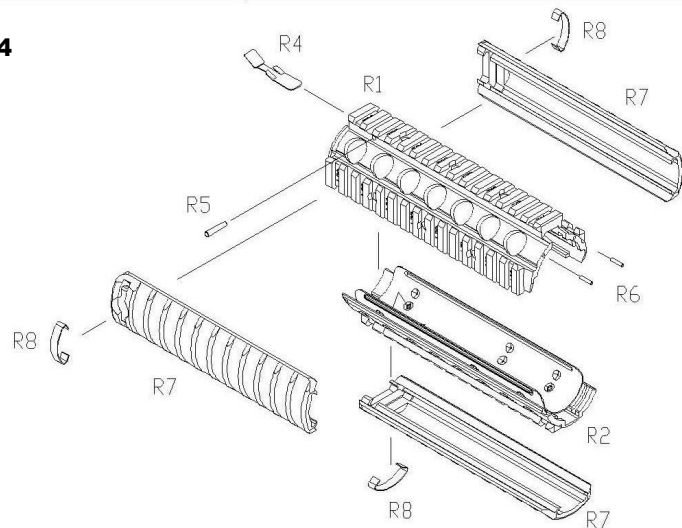
KA-03



KA-05



KA-04



KJ M4 STANDARD MAGAZINE

