

KP-07 MANUAL

WARNING: BEFORE USAGE, THE INSTRUCTION MUSE BE READ.

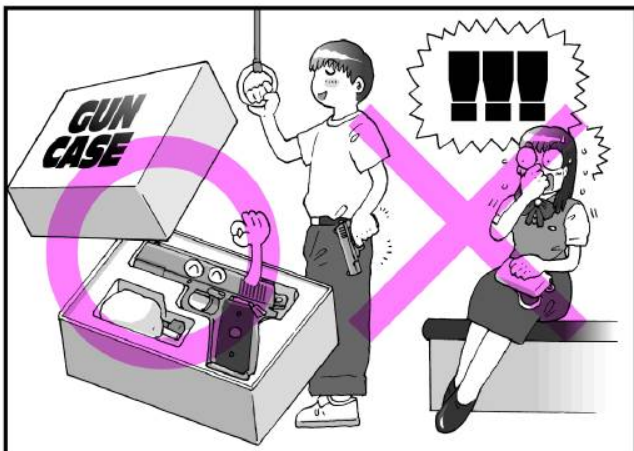
THANK YOU FOR PURCHASING. THE FOLLOWING ATTENTION POINTS AND INSTRUCTIONS MUST BE READ. SHOOTING WITHOUT CAUTION OR USED IMPROPERLY, BLINDNESS OR INJURIES COULD BE LEAD.



DO NOT POINT AT PEOPLE OR ANIMAL.



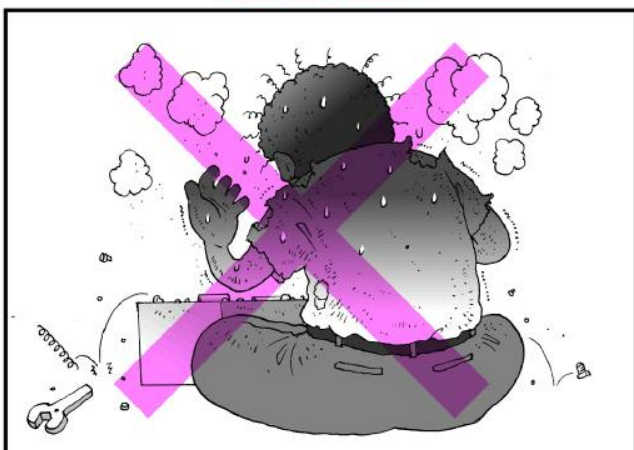
GUN AND GAS MUST NOT BE PLACED IN AREA WHERE TEMPERATURE IS OVER 40 °C



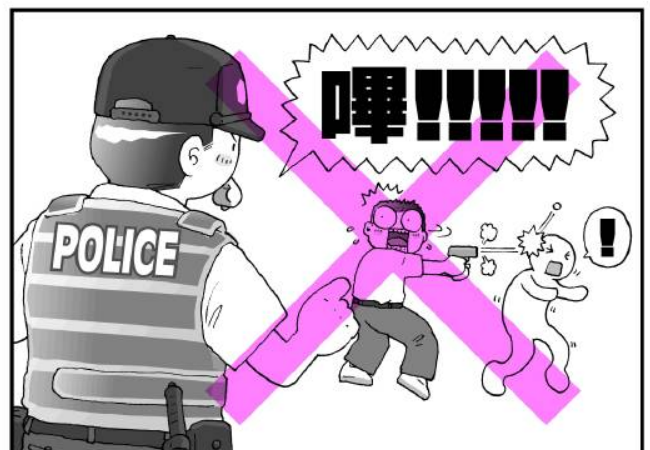
PLACE IN GUN CASE WHEN NOT IN USING OR TRANSPORTING



DO NOT USE GAS WHICH PRESSURE IS OVER 12 Kgs/cm²



UNAUTHORIZED RECONSTRUCTION OF AIR SOFT GUN TO STRENGTHEN FIRING FUNCTION IS STRICTLY PROHIBITED.



BE CAREFULL WHAT TARGET YOU SHOOT



EYE PROTECTION DEVICE MUST BE EQUIPPED



DO NOT LOAD ANYTHING BUT BB BULLETS.



DO NOT LOOK THROUGH THE BARREL



PLEASE SHOOT IN SAFE PLACE

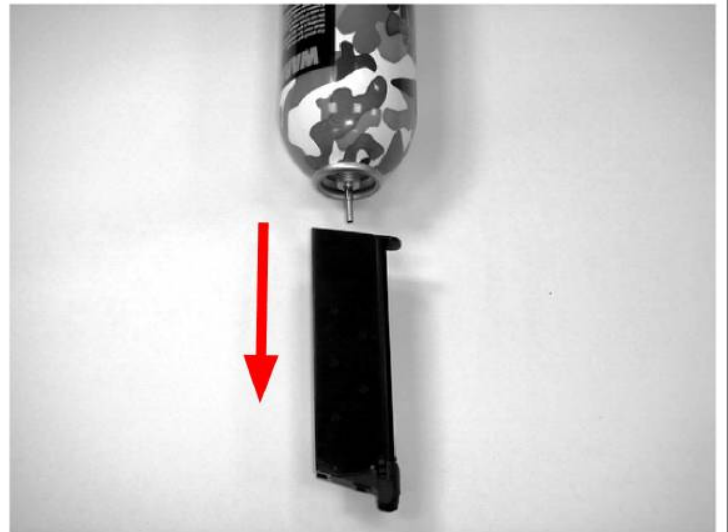
OPERATION

1. REMOVE THE MAGAZINE



PRESS MAGAZINE CATCH AND REMOVE MAGAZINE

2. FILLING GAS



FILL THE GAS BOTTLE TO THE MAGAZINE IN VERTICAL DIRECTION.

3.LOAD BB BULLETS

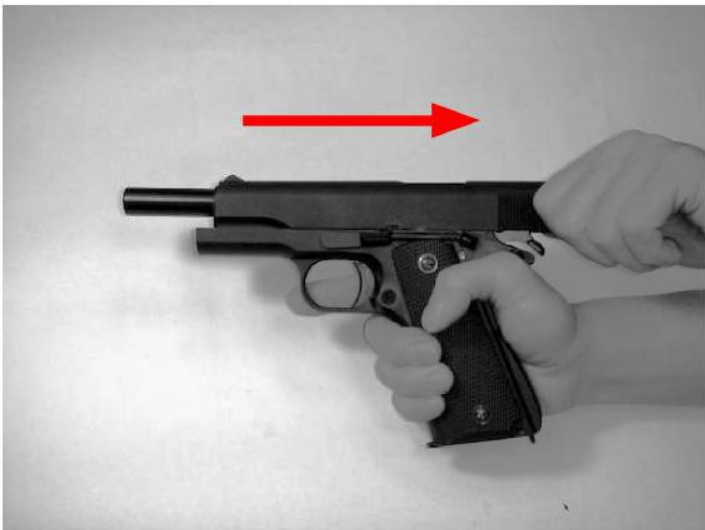


USE WRENCH TO HOLD THE FOLLOWER AND LOAD BULLETS

4.INSERT MAGAZINE



5.LOAD



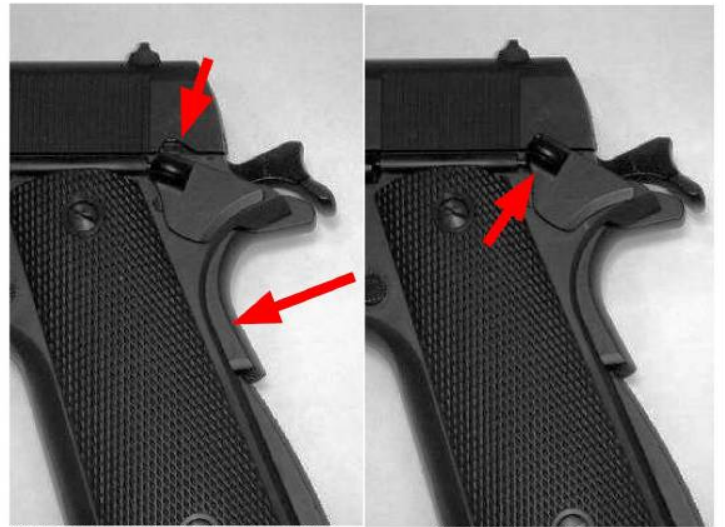
PULL THE SLIDE COMPLETELY TO THE REAR.

6.FIRE



PULL THE TRIGGER.

7.SAFETY



SAFETY OFF (READY FOR FIRE)

SAFETY ON

DISASSEMBLY

1. REMOVE THE SLIDE STOP



THE SLIDE REAR UNTIL THE TAKEDOWN NOTCH IS JUST ABOVE THE SLIDE STOP TAB AND REMOVE SLIDE STOP

2.REMOVE THE SLIDE



3.REMOVE THE RECOIL SPRING AND SPRING CAP

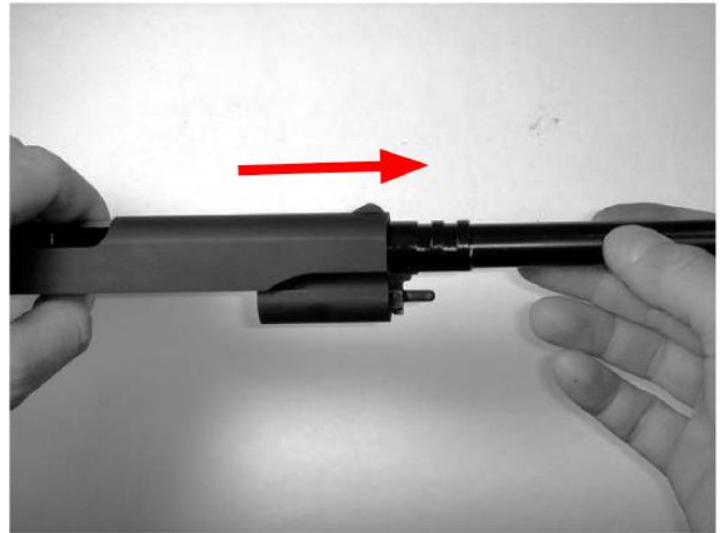


4.REMOVE THE BARREL BUSH AND BARREL



USE WRENCH TO ROTATE THE BARREL BUSH AND REMOVE IT

5.REMOVE THE BARREL



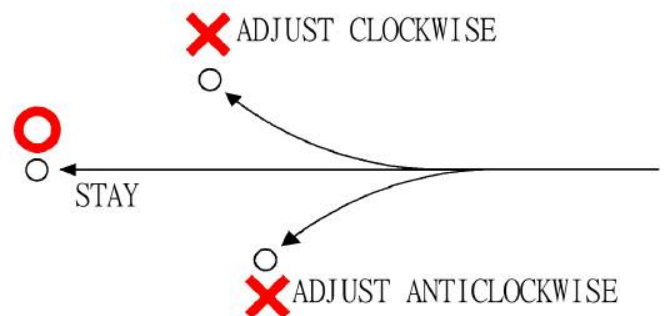
ASSEMBLY

REVERSE THE DISASSEMBLY ORDER
ADJUST TREJECTORY

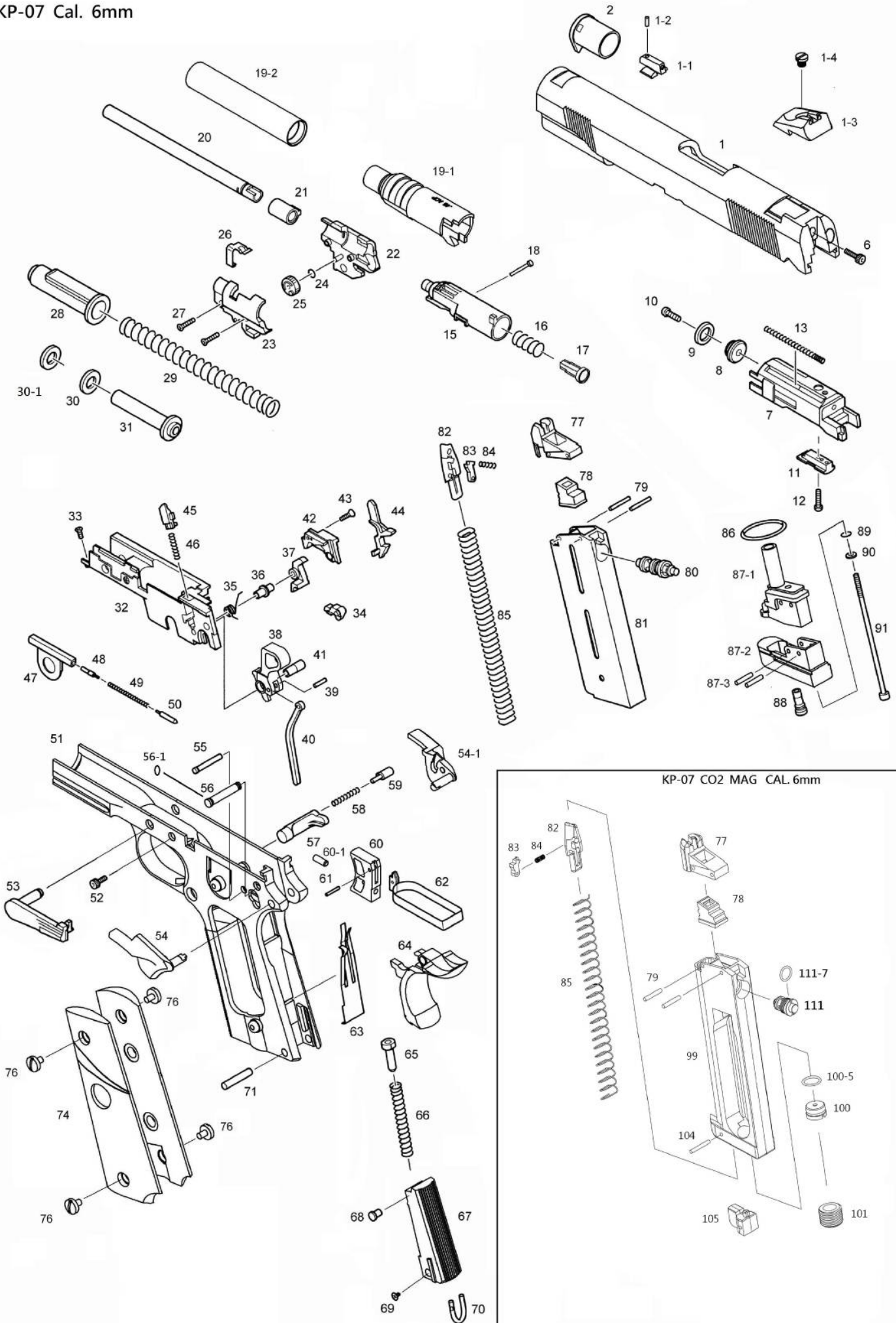


TWIST THE ADJUST DIAL TO ADJUST TEAJECTORY.

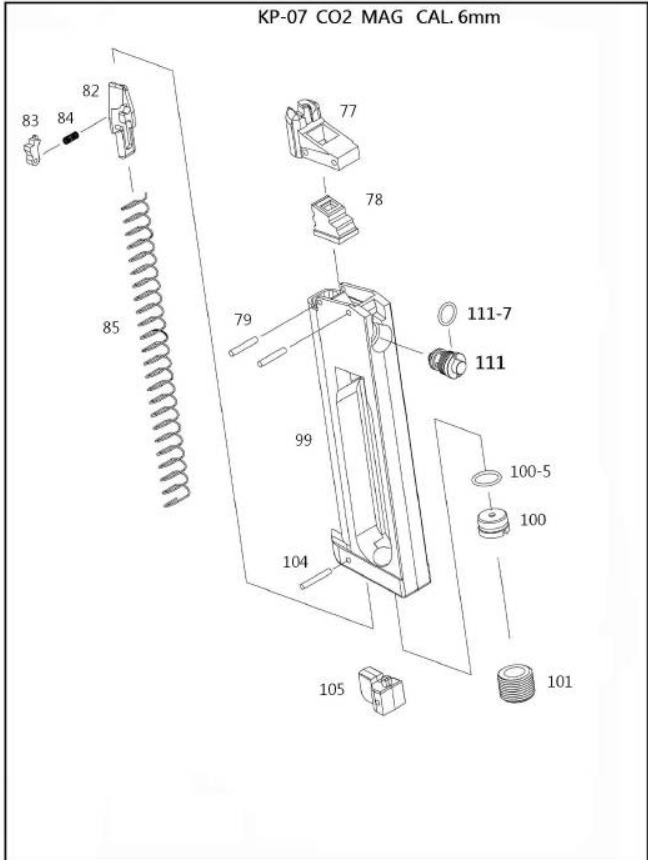
PLEASE ADJUST ACCORDING TO TREJECTORT



KP-07 Cal. 6mm



KP-07 CO2 MAG CAL.6mm



No.	Name of Part	Price	No.	Name of Part	Price
1	Slide	1600	51	Frame	2200
1-1	Front Sight	120	52	Frame Screw	10
1-2	Front Sight Screw	10	53	Slide Stop	200
1-3	Rear Sight	150	54	Safety	140
1-4	Rear Sight Screw	20	54-1	Safety(R)	140
2	Barrel Bushing	120	55	Sear Pin	40
6	Firing Pin Stop Screw	20	56	Hammer Pin	60
7	Cylinder	400	56-1	Hammer Pin O-ring	20
8	Ring Head	40	57	Magazine Catch	120
9	Ring	20	58	Magazine Catch Spring	10
10	Ring Head Screw	10	59	Magazine Catch Lock	30
11	Piston Part	30	60	Trigger	240
12	Piston Part Screw	10	60-1	Trigger Screw	20
13	Cylinder Return Spring	20	61	Trigger Pin	10
15	Cylinder	150	62	Trigger Bar	120
16	Cylinder Valve Spring	20	63	Sear Spring	100
17	Cylinder Valve	20	64	Grip Safety	240
18	Cylinder Valve Stopper	20	65	Hammer Spring Plunger	30
19-1	Outter Barrel Chamber	300	66	Hammer Spring	70
19-2	Outter Barrel	300	67	Hammer Spring Housing	240
20	Inner Barrel	180	68	Plunger Stopper	40
21	Rubber Chamber	80	69	Lanyard Loop Screw	10
22	Chamber Cover (Right)	140	70	Lanyard Loop	50
23	Chamber Cover (Left)	140	71	Housing Pin	50
24	O-Ring	10	74	Grip	400
25	Adjust Dial	20	76	Grip Screw	30
26	Adjust Lever	50	77	BB Lip	60
27	Chamber Cover Screw	10	78	Magazine Gasket	80
28	Recoil Plug	200	79	BB Lip Pin	10
29	Recoil Spring	60	80	EX-Valve(Gas)	150
30	Recoil Spring Pad	20	81	Magazine Case	400
30-1	Washer	20	82	Follower	30
31	Recoil Spring Guide	150	83	Follower Lever	20
32	Front Chasis	300	84	Follower Lever Spring	15
33	Front Chasis Screw	10	85	Follower Spring	50
34	Steel Knocker	100	86	O-Ring	20
35	Knocker Spring	30	87-1	Magazine Bottom-1	180
36	Sear Sleeve	40	87-2	Magazine Bottom-2	80
37	Sear	60	87-3	Magazine Bottom-3	20
38	Hammer	150	88	Filling Valve	70
39	Hammer Strut Pin	10	89	O-Ring	10
40	Hammer Strut	50	90	Washer	10
41	Hammer Sleeve	50	91	Magazine Base Screw	20
42	Chassis Cover	80	99	Magazine Case	400
43	Chassis Cover Screw	10	100	Cartridge Stab	100
44	Disconnecter	80	100-5	Cartridge Stab Oring	20
45	Steel Knocker Lock	100	101	Magazine Buttom Cap	100
46	Knocker Lock Spring	20	104	Follower Spring Retainer Pin	10
47	Plunger Guide	120	105	Follower Spring Retainer	80
48	Slide Stop Plunger	50	111	EX-Valve(CO2)	200
49	Plunger Spring	15	111-7	Valve Oring	20
50	Safety Plunger	50			

KJWORKS