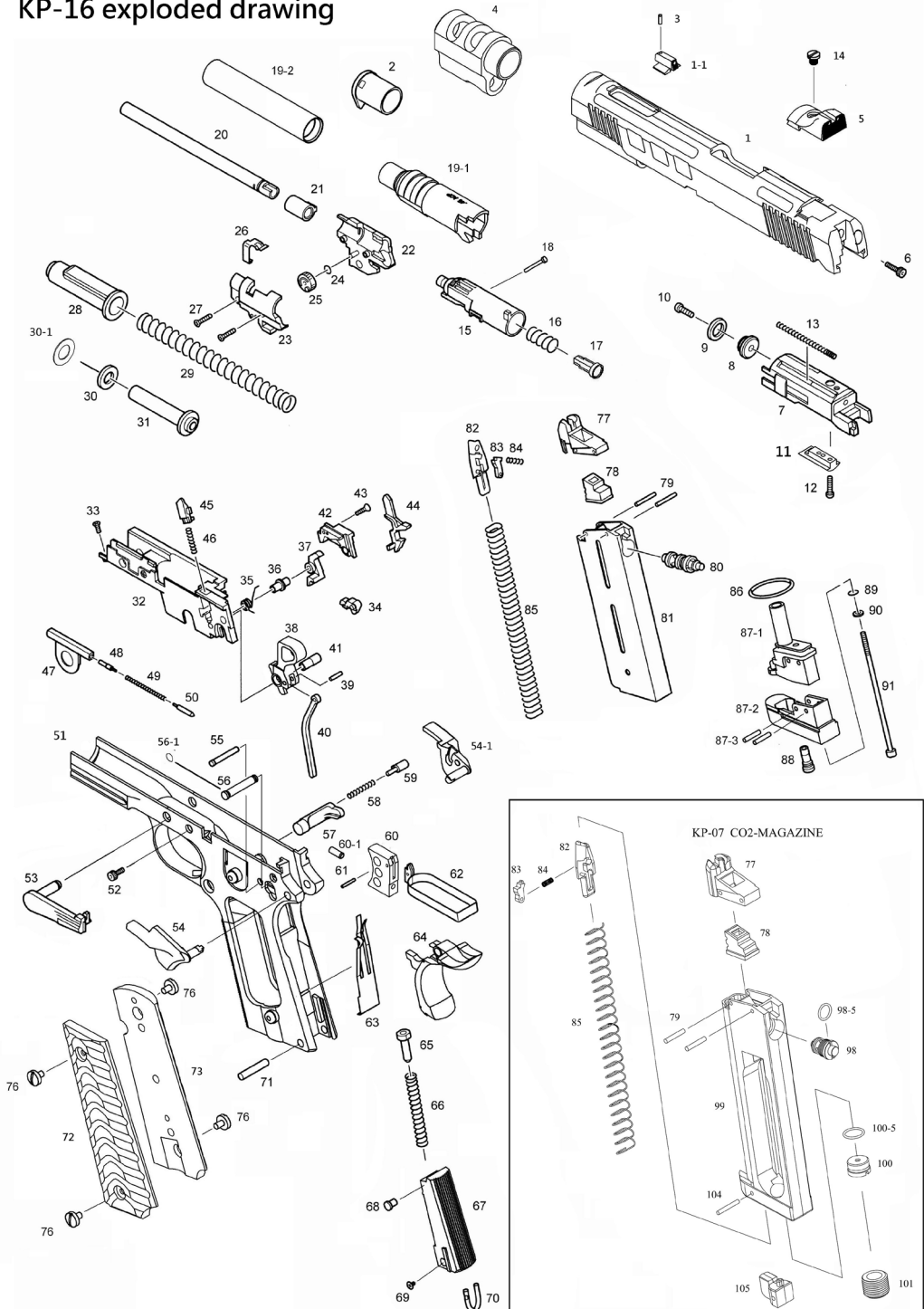
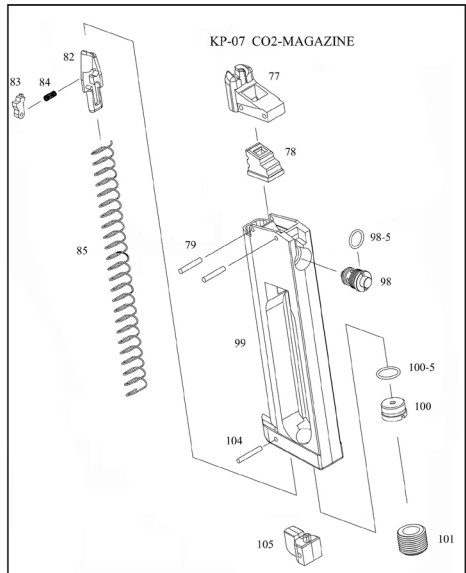
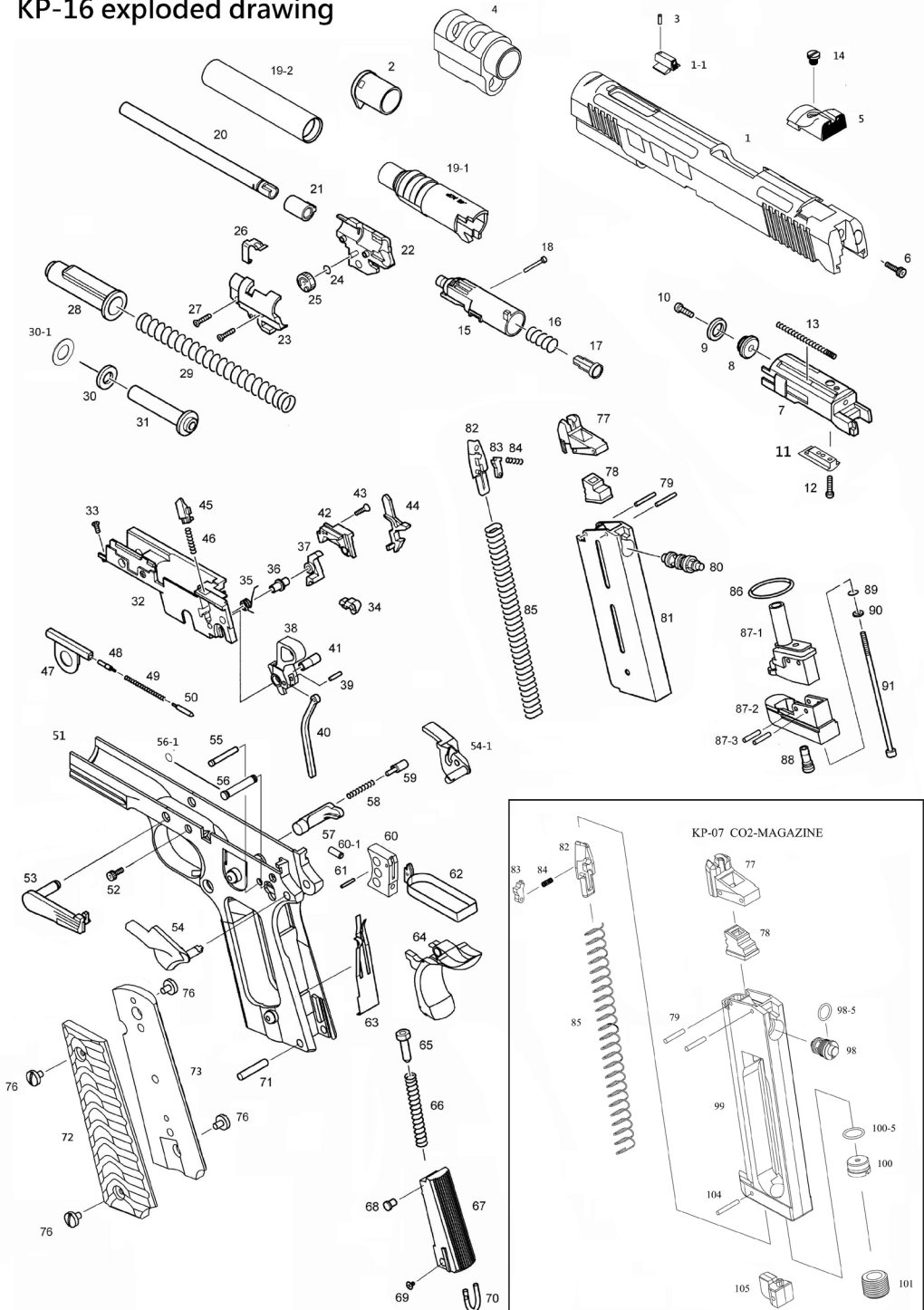


KP-16 exploded drawing



No.	Name of Part	Price	No.	Name of Part	Price
1	Slide	1600	52	Frame Screw	10
1-1	Front Sight	160	53	Slide Stop	200
2	Barrel Bushing	120	54	Safety	140
3	Front Sight Screw	10	54-1	Safety(R)	140
4	compensator	500	55	Sear Pin	40
5	Rear Sight	200	56	Hammer Pin	60
6	Firing Pin Stop Screw	20	56-1	Hammer Pin O-ring	20
7	Cylinder	400	57	Magazine Catch	120
8	Ring Head	40	58	Magazine Catch Spring	10
9	Ring	20	59	Magazine Catch Lock	30
10	Ring Head Screw	10	60	Trigger	240
11	Piston Part	30	60-1	Trigger Screw	20
12	Piston Part Screw	10	61	Trigger Pin	10
13	Cylinder Return Spring	20	62	Trigger Bar	120
14	Rear Sight Screw	20	63	Sear Spring	100
15	Cylinder	150	64	Grip Safety	240
16	Cylinder Valve Spring	20	65	Hammer Spring Plunger	30
17	Cylinder Valve	20	66	Hammer Spring	70
18	Cylinder Valve Stopper	20	67	Hammer Spring Housing	240
19-1	Outter Barrel Chamber	300	68	Plunger Stopper	40
19-2	Outter Barrel	300	69	Lanyard Loop Screw	10
20	Inner Barrel	180	70	Lanyard Loop	50
21	Rubber Chamber	80	71	Housing Pin	50
22	Chamber Cover (Right)	140	72	Aluminum Grip L	800
23	Chamber Cover (Left)	140	73	Aluminum Grip R	800
24	O-Ring	10	76	Grip Screw	30
25	Adjust Dial	20	77	BB Lip	60
26	Adjust Lever	50	78	Magazine Gasket	80
27	Chamber Cover Screw	10	79	BB Lip Pin	10
28	Recoil Plug	200	80	EX-Valve(Gas)	150
29	Recoil Spring	60	81	Magazine Case	400
30	Recoil Spring Pad	20	82	Follower	30
30-1	Washer	20	83	Follower Lever	20
31	Recoil Spring Guide	150	84	Follower Lever Spring	15
32	Front Chasis	300	85	Follower Spring	50
33	Front Chasis Screw	10	86	O-Ring	20
34	Steel Knocker	100	87-1	Magazine Bottom-1	180
35	Knocker Spring	30	87-2	Magazine Bottom-2	80
36	Sear Sleeve	40	87-3	Magazine Bottom-3	20
37	Sear	60	88	Filling Valve	70
38	Hammer	150	89	O-Ring	10
39	Hammer Strut Pin	10	90	Washer	10
40	Hammer Strut	50	91	Magazine Base Screw	20
41	Hammer Sleeve	50	98	EX-Valve(CO2)	200
42	Chassis Cover	80	98-5	Valve Oring	20
43	Chassis Cover Screw	10	99	Magazine Case	400
44	Disconnecter	80	100	Cartridge Stab	100
45	Steel Knocker Lock	100	100-5	Cartridge Stab Oring	20
46	Knocker Lock Spring	20	101	Magazine Buttom Cap	100
47	Plunger Guide	120	104	Follower Spring Retainer Pin	10
48	Slide Stop Plunger	50	105	Follower Spring Retainer	80
49	Plunger Spring	15			
50	Safety Plunger	50			
51	Frame	2200			

KP-16 exploded drawing



編號	品名	價格	編號	品名	價格
1	滑套	1600	52	槍身螺絲	10
1-1	準星	160	53	滑套擋銷	200
2	槍管襯套	120	54	左保險	140
3	準星螺絲	10	54-1	右保險	140
4	槍口抑制器	500	55	阻鐵銷	40
5	照門	200	56	擊錘銷	60
6	撞針檔片螺絲	20	56-1	擊錘銷O環	20
7	汽缸	400	57	彈匣卡榫	120
8	氣密環固定座	40	58	彈匣卡榫彈簧	10
9	氣密環	20	59	彈匣卡榫鎖心	30
10	氣密環固定座螺絲	10	60	板機	240
11	活塞零件	30	60-1	板機螺絲	20
12	活塞零件螺絲	10	61	板機銷	10
13	汽缸回復彈簧	20	62	板機連桿	120
14	照門螺絲	20	63	扣機簧	100
15	汽缸	150	64	握把保險	240
16	汽缸閥門彈簧	20	65	擊錘撐桿接合器	30
17	汽缸閥門	20	66	擊錘簧	70
18	汽缸閥門擋片	20	67	擊錘簧座	240
19-1	外槍腔	300	68	接合器止動銷	40
19-2	外槍管	300	69	總圈螺絲	10
20	內槍管	180	70	總圈	50
21	橡膠槍腔	80	71	擊錘簧座銷	50
22	槍腔外蓋(右)	140	72	鋁握把 左	800
23	槍腔外蓋(左)	140	73	鋁握把 右	800
24	O環	10	76	握把螺絲	30
25	調整盤	20	77	彈匣上蓋	60
26	調整桿	50	78	出氣墊襯	80
27	槍腔外蓋螺絲	10	79	彈匣上蓋銷	10
28	覆進簧插塞	200	80	出氣閥(瓦斯)	150
29	覆進簧	60	81	彈匣本體	400
30	覆進簧墊襯	20	82	托彈板	30
30-1	華司	20	83	托彈板卡榫	20
31	覆進簧導桿	150	84	托彈板卡榫彈簧	15
32	板機座	300	85	托彈板彈簧	50
33	板機座螺絲	10	86	彈匣底座O環	20
34	撞針	100	87-1	彈匣底座	180
35	撞針彈簧	30	87-2	彈匣底座外蓋	80
36	阻鐵軸	40	87-3	彈匣底座外蓋銷	20
37	阻鐵	60	88	進氣閥	70
38	擊錘	150	89	O環	10
39	擊錘撐桿銷	10	90	華司	10
40	擊錘撐桿	50	91	彈匣底座螺絲	20
41	擊錘襯套	50	98	出氣閥	200
42	擊錘座蓋	80	98-5	出氣閥O環	20
43	擊錘座蓋螺絲	10	99	彈匣主體	400
44	脫離器	80	100	刺破嘴	100
45	撞針鎖片	100	100-5	刺破嘴O環	20
46	撞針鎖片彈簧	20	101	氣瓶固定螺絲	100
47	伸縮銷導桿	120	104	托彈板彈簧止動器插銷	10
48	伸縮銷	50	105	托彈板彈簧止動器	80
49	伸縮銷彈簧	15			
50	伸縮銷	50			
51	槍身	2200			